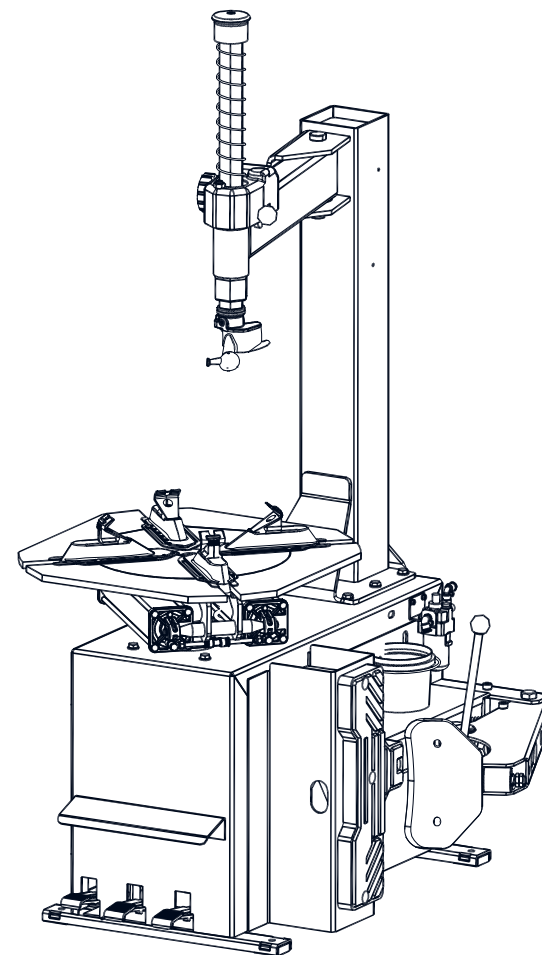
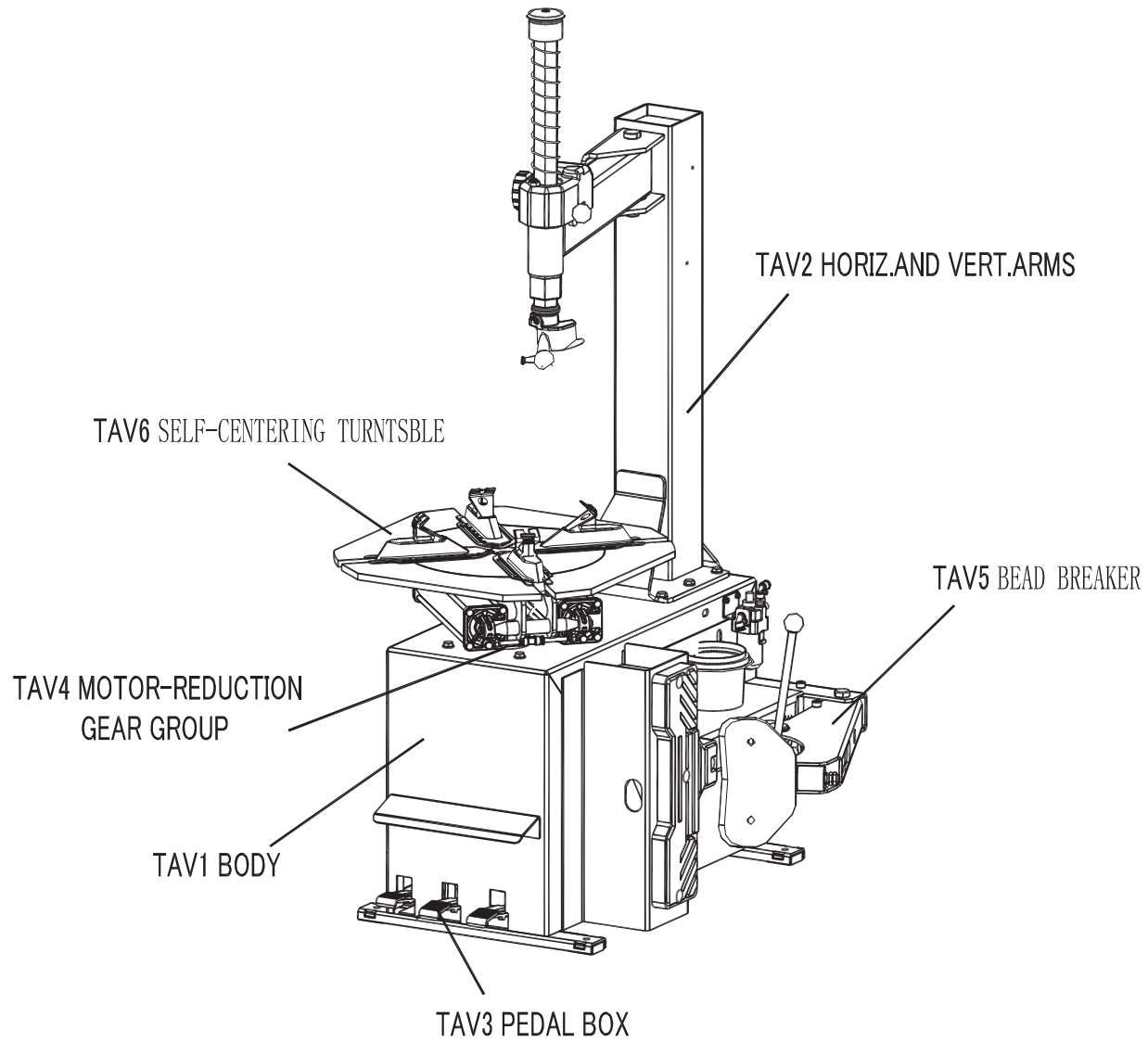


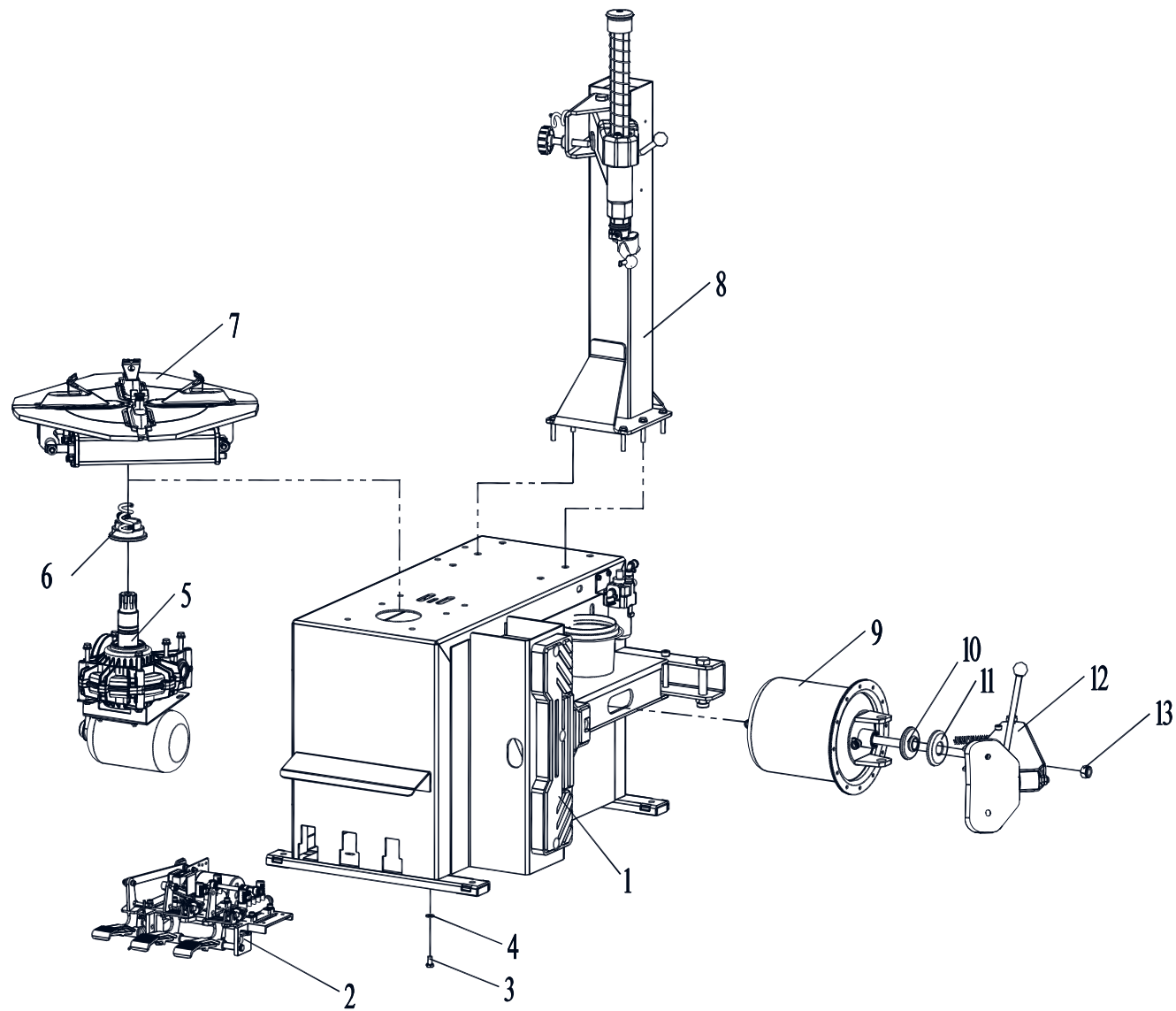
**PART CATALOGUE**

**KC-301A**

**TIRE CHANGER**

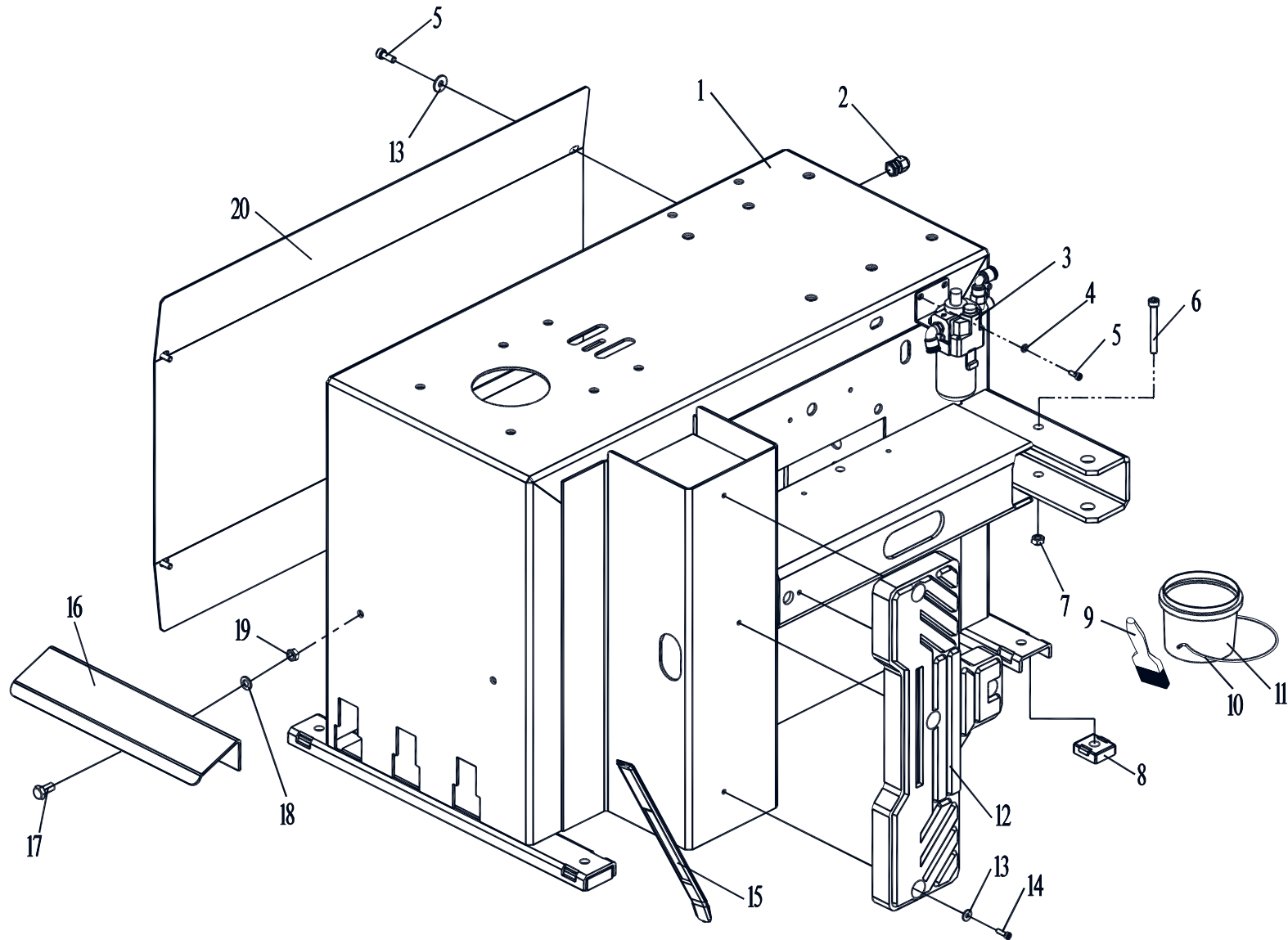






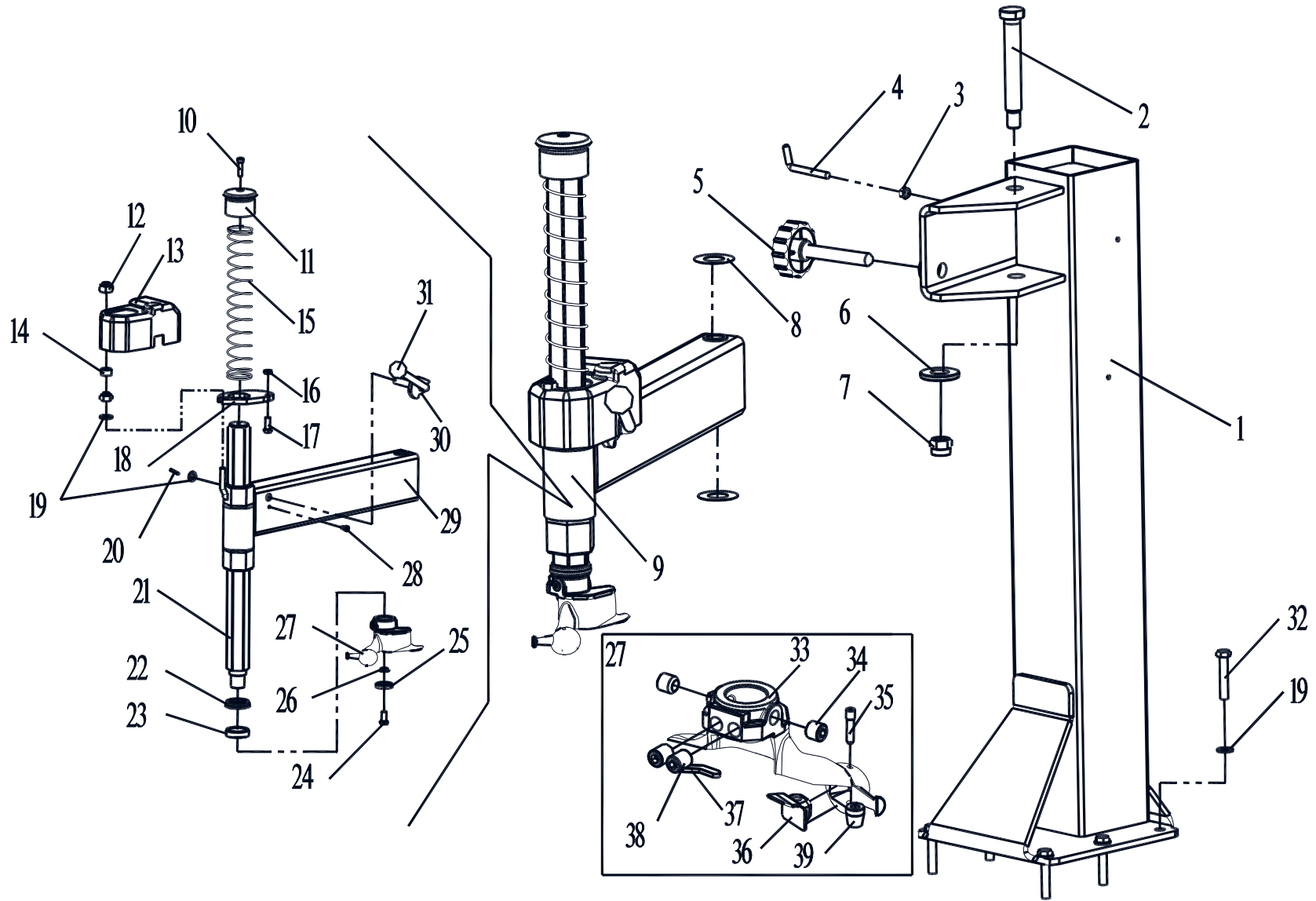
TAV.0.2	TIRE CHANGER ASSEMBLY	ED. 01/17
---------	-----------------------	-----------

ITEM	PART NUMBER	DESCRIPTION	QTY	REMARK
1	C20A100000	Shell	1	
2	YC1-2015861	Pedal control unit	1	
3	0201026	Screw M8X16	3	
4	0205008	Washer D.8 - GB/T97.1	3	
5	C20A200000	Motor – Reduction gear group	1	
6	YC1-2003000	Rotation union	1	
7	C20B500000	Turntable	1	
8	YC1-2004000	Horiz. And vert. Arms	1	
9	C20A400000	Bead breaker cylinder	1	
10	106B-3006001	Shock absorber	1	
11	106B-3006002	Absorber protection	1	
12	YC1-2006001	Bead breaker arm assembly	1	
13	0204009	Self-locking nut M18	1	



TAV.1.0	BODY	ED. 01/17
---------	------	-----------

ITEM	PART NUMBER	DESCRIPTION	QTY	REMARK
1	C20A100100	Shell	1	
2	0508252	Cable relief	1	
3	C00AQ55000	Lubricator unit	1	
4	0205006	Washer D.6 - GB/T97.1	2	
5	0202032	Screw M6X16 - GB/T70.1	6	
6	0202067	Screw M10X85 - GB/T70.1	1	
7	0204005	Self-locking nut M10 - GB/T889.1	1	
8	YC1-3002099	Plastic foot	4	
9	0511063	Grease brush	1	
10	YC1-3000069	Spring	1	
11	YC1-4299984	Grease cup	1	
12	YC1-3002102	Wheel support	1	
13	0205007	Washer D.6 - GB/T96	8	
14	0202033	Screw M6X20 - GB/T70.1	4	
15	0511242	Bead lifting lever	1	
16	C20A100002	Front panel	1	
17	0201026	Screw M8X16 - GB/T5783	2	
18	0205008	Washer D.8 - GB/T97.1	2	
19	0203029	Nut M8 - GB/T6170	2	
20	C20A100001	Side cover	1	



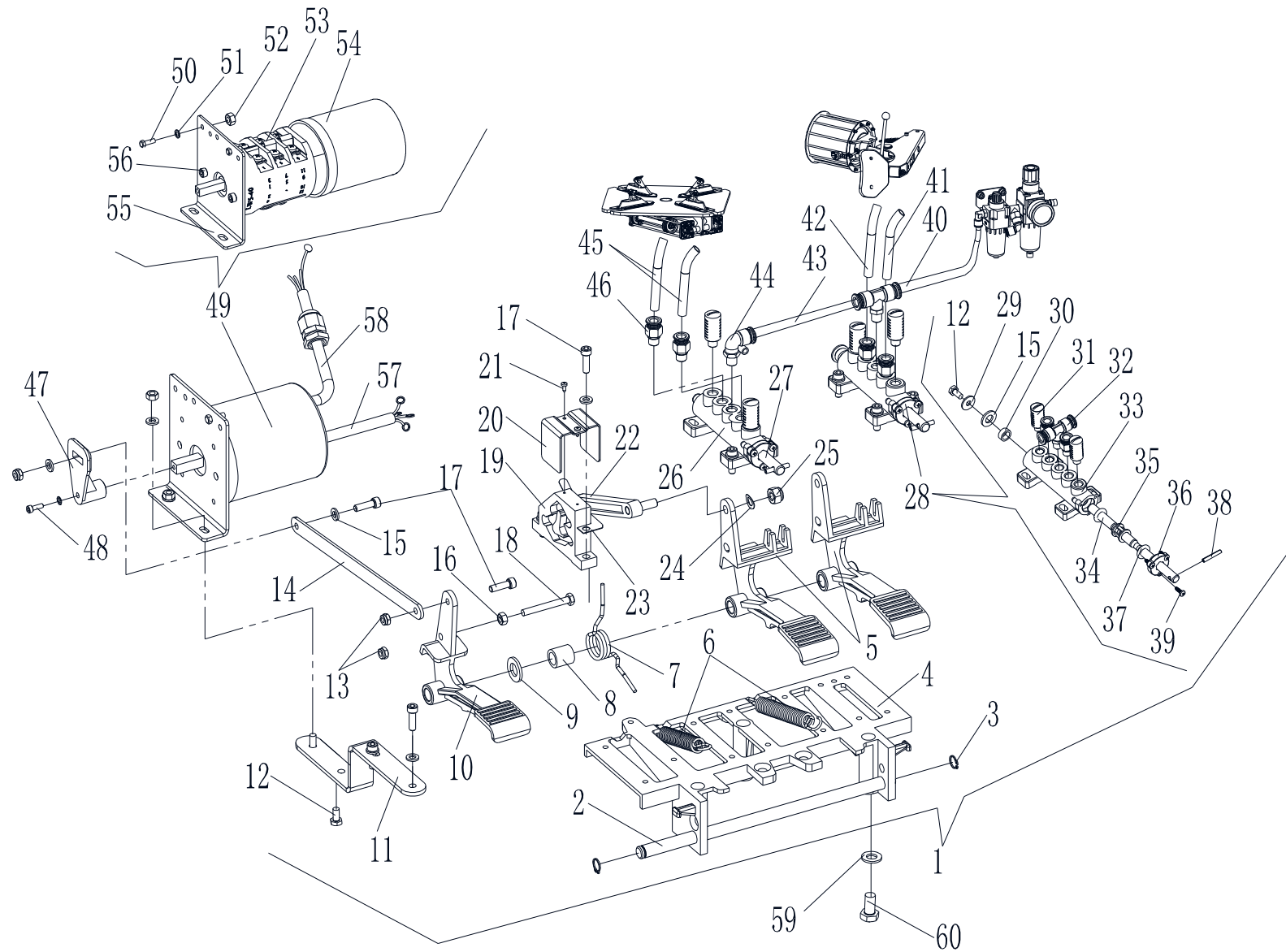
TAV.2.0	HORIZ. AND VERT. ARMS	ED. 01/17
---------	-----------------------	-----------

ITEM	PART NUMBER	DESCRIPTION	QTY	REMARK
1	YC1-2412123	Vertical post	1	
2	YC1-3015565	Pivot	1	
3	0203004	Nut M6 - GB52	1	
4	YC1-3012978	Inflator hook	1	
5	YC1-2004002	Hand wheel	1	
6	YC1-3007352	Washer	1	
7	0204008	Self-locking nut M16 - GB/T889.1	1	
8	YC1-4397898	Steel shim	4	
9	YC1-2004001	Working arm assembly	1	
10	0202049	Screw M8X30 - GB/T70.1	1	
11	YC1-3001759	Arm knob	1	
12	0204005	Nut M10 - GB/T889.1	2	
13	YC1-3012631	Arm frame	1	
14	YC1-3012632	Rubber spacer	1	
15	YC1-3005407	Spring	1	
16	0204012	Nut M10 - GB/T6172.1	1	
17	0201064	Screw M10X25 - GB/T5783	1	
18	YC1-3015567	Arm locking plate	1	
19	0205011	Washer D.10 - GB/T97.1	8	
20	0213003	Elastic pin 4X25 - GB/T879.1	1	
21	YC1-3015586	Hexagonal arm	1	
22	YC1-3002601	Shock absorber	1	
23	YC1-3002602	Shock absorber protection	1	
24	0201062	Screw M10X20	1	
25	YC1-4295805	Spherical washer	1	
26	YC1-4295804	Conical washer	1	
27	YC1-2002215	Mounting tool unit	1	



TAV.2.0	HORIZ. AND VERT. ARMS		ED. 01/17
---------	-----------------------	--	-----------

28	0202030	Screw M6X10 - GB/T70.1	1
29	YC1-2415589A	Horizontal arm	1
30	YC1-2407085	Arm locking lever	1
31	YC1-4299952	Ball	1
32	0201055	Screw M10X55 - GB/T5782	6
33	YC1-3007801	Mounting tool	1
34	0209020	Screw M12X12 - GB/T80	2
35	0215031	Shaft	1
36	YC1-3006689	Plastic insert	1
37	YC1-3013650	Plastic insert	1
38	0209015	Screw M12X16 - GB/T80	2
39	0215032	Peak roller	1



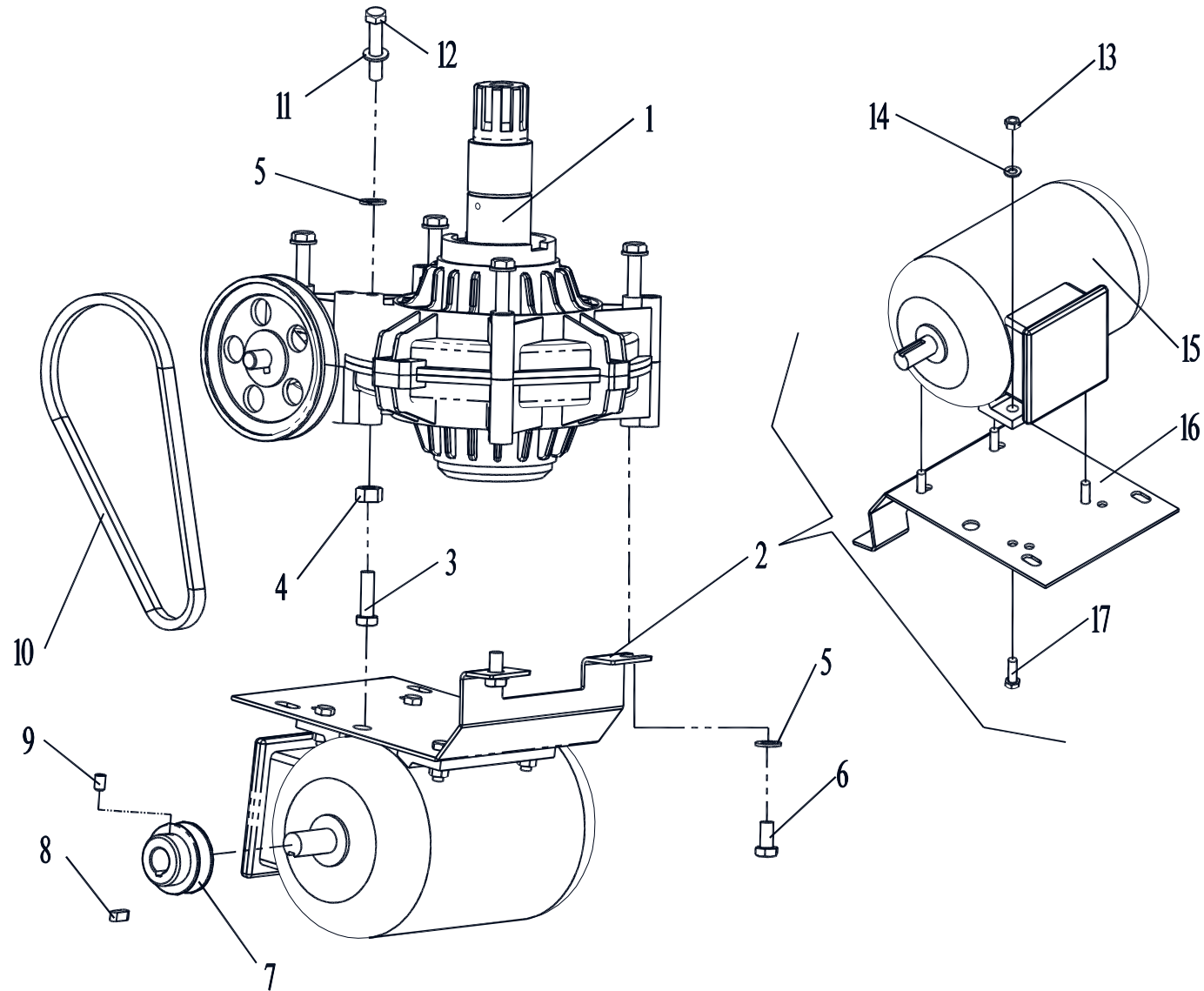
TAV.3.0	PEDAL BOX	ED. 01/17
---------	-----------	-----------

ITEM	PART NUMBER	DESCRIPTION	QTY	REMARK
1	YC1-2015861	Pedal control unit	1	
2	YC1-3003094	Pedal alignment pin	1	
3	0212001	Seeger D.12 - GB/T894.1	2	
4	YC1-3002161	Pedal box base	1	
5	YC1-3002159	Pedal B	2	
6	YC1-3013333	Pedal return spring	2	
7	C00A000001	Spring	1	
8	YC1-3007953	Bush	1	
9	0205013	Washer D.12 - GB/T97.1	1	
10	YC1-3002157	Pedal A	1	
11	YC1-3015342	Support	1	
12	0201011	Screw M6X12	3	
13	0204003	Nut M6 - GB/T889.1	3	
14	YC1-3015341	Connection rod	1	
15	0205006	Washer D.6 - GB/T97.1	12	
16	0203004	Nut M6 - GB52	3	
17	0202033	Screw M6X20 - GB/T70.1	10	
18	0201016	Screw M6X50 - GB/T5782	1	
19	YC1-4299913	Double cam	1	
20	YC1-3099910	Connection rod guide	1	
21	0207034	Self-tapping screw ST2.9X6.5 - GB/T845	2	
22	YC1-4299912	Connection rod	1	
23	YC1-4299911	Forked leaf spring	1	
24	0215019	Washer D.8 - GB/T860	2	
25	0204004	Nut M8 - GB/T889.1	1	
26	YC1-2002529	Turntable valve unit	1	
27	YC1-3002442	Valve pin 1	1	

28	YC1-2006297	Bead breaking valve unit	1
29	0205007	Washer D.6 - GB/T96	1
30	YC1-4197629	Nylon washer	1
31	0306059	Silencer 1/8	4
32	0306023	Quick T union 8-1/8	1
33	YC1-3001583	Valve body	2
34	YC1-3007598	Valve pin 3	1
35	YC1-3001584	Valve spacer	10
36	YC1-3001585	Valve flange	2
37	YC1-4299000	O-ring 17X4	12
38	0213003	Elastic pin 4X25 - GB/T879.1	2
39	0207032	Self-tapping screw ST3.5X13 - GB/T845	6
40	0306097	Rilsan hose 8X5 L=1000	1
41	0306097	Rilsan hose 8X5 L=700	1
42	0306097	Rilsan hose 8X5 L=800	1
43	0306097	Rilsan hose 8X5 L=70	1
44	0306033	90° quick union 8-R1/8	1
45	0306097	Rilsan hose 8X5 L=850	2
46	0306045	Quick union 8-1/8	4
47	YC1-3000175	Reverser lever	1
48	0202004	Screw M4X12 - GB/T70.1	1
49	YC1-2002002	Reverser assembly	1
50	0201004	Screw M4X12 - GB/T5781	2
51	0211016	Washer D.4 - GB/T862.2	2
52	0203002	Nut M4 - GB52	2
53	0505009	Reverser 40A	1
54	YC1-3015344	Reverser cover	1

TAV.3.0	PEDAL BOX		ED. 01/17
---------	-----------	--	-----------

55	YC1-3015340	Reverser support	1
56	0202021	Screw M5X20 - GB/T70.1	2
57	0506016	Motor cable L=1500	1
58	0506016	Power cable L=3500	1
59	0205008	Washer D.8 - GB/T97.1	3
60	0201026	Screw M8X16 - GB/T5783	3



TAV.4.0	MOTOR – REDUCTION GEAR GROUP	ED. 01/17
---------	------------------------------	-----------

ITEM	PART NUMBER	DESCRIPTION	QTY	REMARK
1	C20A200100	Reduction gear unit	1	
2	C20A200200	Motor unit	1	
3	0201051	Screw M10X45	1	
4	0203009	Nut M10 - GB52	1	
5	0205011	Washer D.10 - GB/T97.1	8	
6	0201062	Screw M10X20 - GB/T5783	2	
7	YC1-3000166	Motor pulley	1	
8	202W-ZYDJPJ	Tab 6X30 - GB/T1096	1	
9	0209009	Screw M8X16 - GB/T80	1	
10	0511052	V belt A580	1	
11	0208007	Washer D.10 - GB/T93	6	
12	0201069	Screw M10X55 - GB/T5780	6	
13	0203029	Nut M8 - GB/T6170	4	
14	0205008	Washer D.8 - GB/T97.1	4	
15a	0509097	Motor 110V/60Hz/1ph 1.1KW	1	
15b	0509016	Motor 220V/50Hz/1ph 0.75KW	1	
15c	0509062	Motor 220V/60HZ/3ph 0.8/1.1KW	1	
15d	0509088	Motor 220V/50HZ/3ph 0.8/1.1KW	1	
15e	0509065	Motor 230V/50Hz/1ph 0.75KW	1	
15f	0509146	Motor 230V/50HZ/3ph 0.8/1.1KW	1	
15g	0509017	Motor 380V/50HZ/3ph 0.8/1.1KW	1	
15h	0509090	Motor 380V/60HZ/3ph 0.8/1.1KW	1	
15i	0509050	Motor 400V/50HZ/3ph 0.8/1.1KW	1	
15j	0509054	Motor 220/380V/50HZ/3ph 0.55KW	1	
15k	0509066	Motor 220/380V/60HZ/3ph 0.55KW	1	
15l	0509053	Motor 230/400V/50HZ/3ph 0.55KW	1	
16	C20A200201	Motor support	1	

TAV.4.0	MOTOR – REDUCTION GEAR GROUP	ED. 01/17
---------	------------------------------	-----------

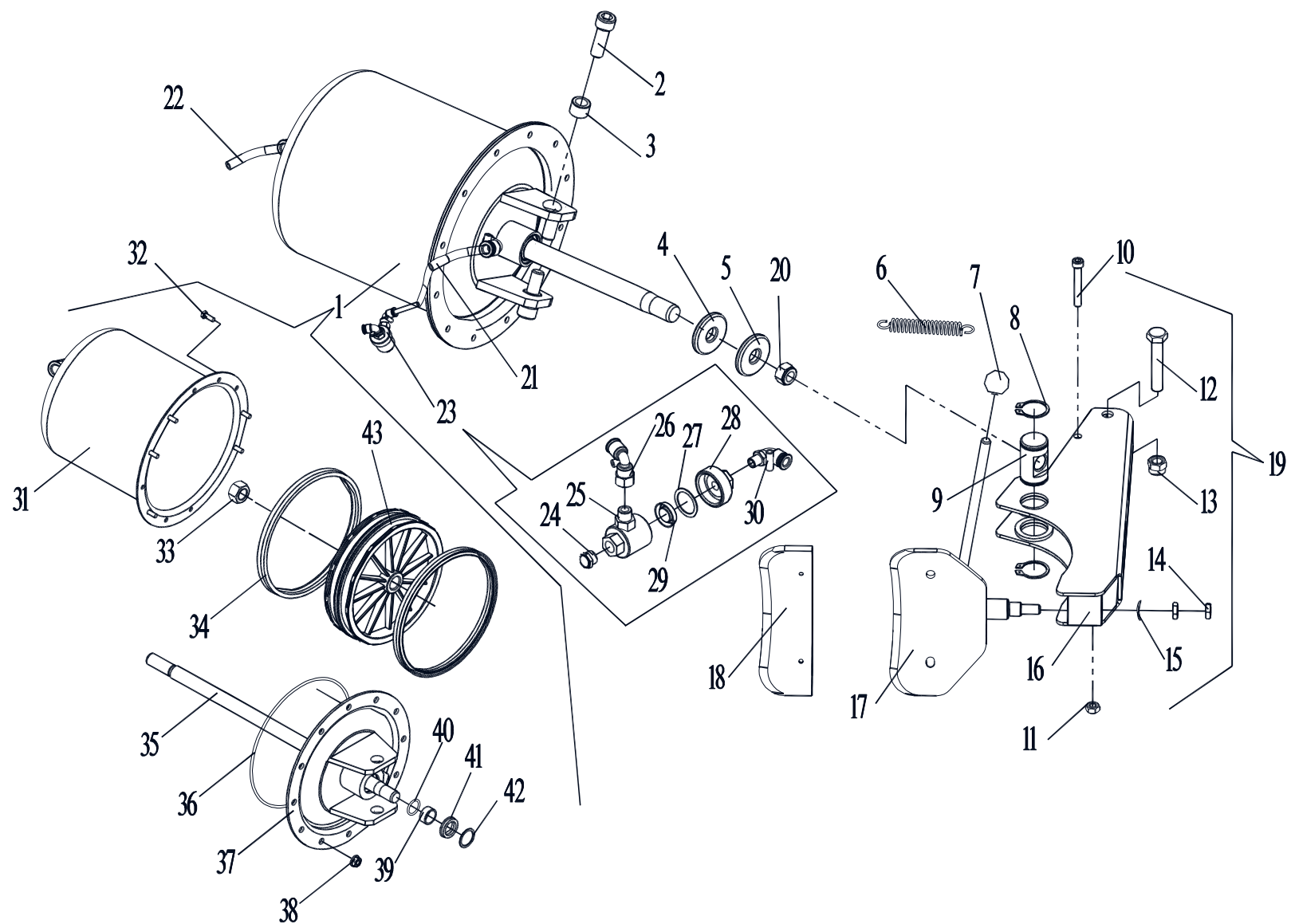
17

0201038

Screw M8X25 - GB/T5783

4



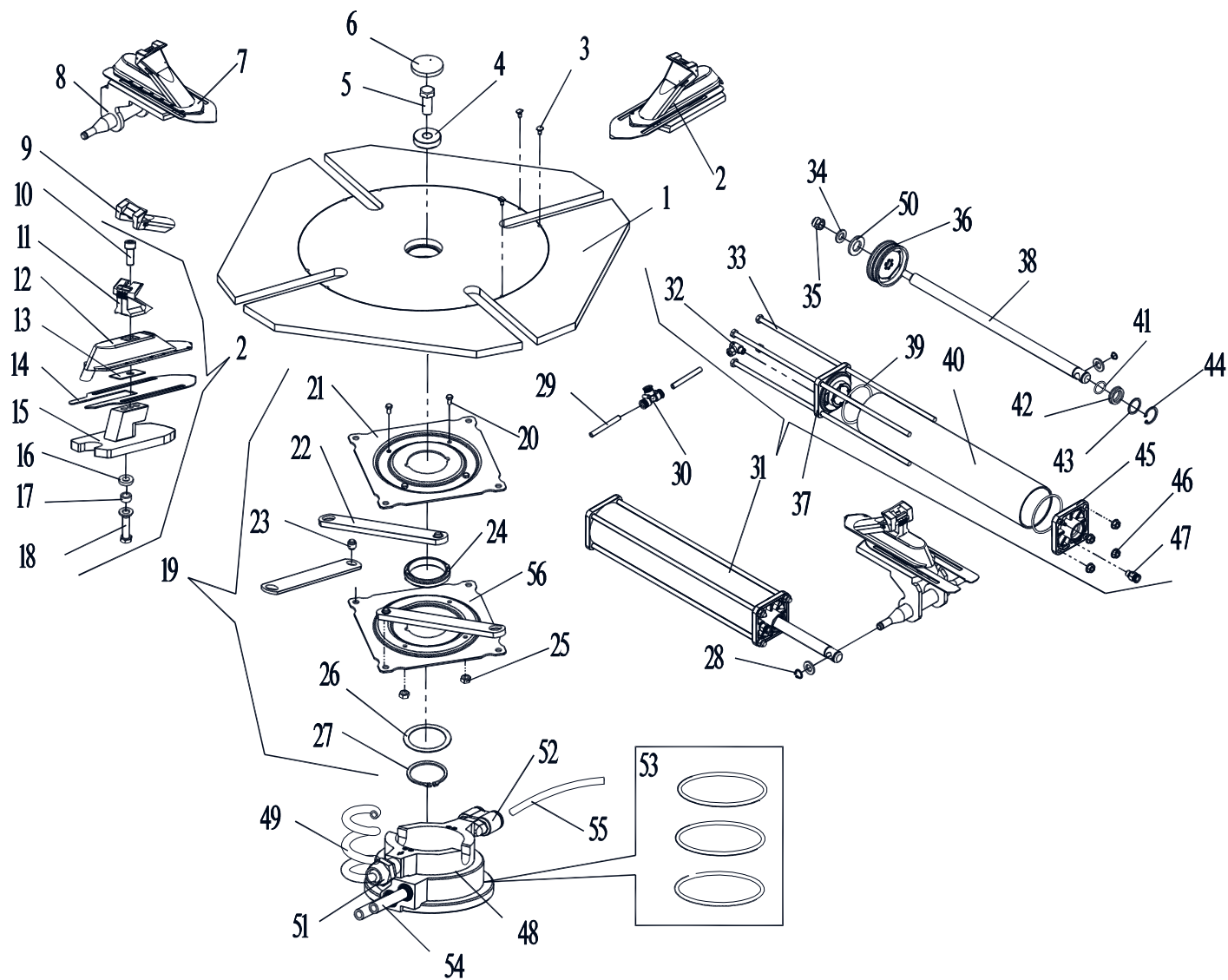


TAV.5.0	BEAD BREAKER	ED. 01/17
---------	--------------	-----------

ITEM	PART NUMBER	DESCRIPTION	QTY	REMARK
1	C20A400000	Bead breaker cylinder	1	
2	0202071	Screw M12X35 - GB/T70.1	2	
3	YC1-3015573	Bush	2	
4	106B-3006001	Rubber stroke limiter 1	1	
5	106B-3006002	Rubber stroke limiter 2	1	
6	YC1-3000114A	Arm spring	1	
7	YC1-4299952	Knob	1	
8	0212008	Seeger D.40 - GB/T894.1	2	
9	YC1-3008990	Pivot pin	1	
10	0202057	Screw M10X70 - GB/T70.1	1	
11	0204005	Self-locking nut M10 - GB/T889.1	1	
12	0201099	Screw M16X90 - GB/T5782	1	
13	0204008	Self-locking nut M16 - GB/T889.1	1	
14	0204013	Nut M14 - GB/T6172.1	2	
15	0211015	Elastic washer D.14 - GB/T955	2	
16	YC1-2415574	Bead breaker arm	1	
17	YC1-2412271	Bead breaker plate	1	
18	YC1-3013240	Protection cover	1	
19	YC1-2006001	Bead breaker arm assembly	1	
20	0204009	Self-locking nut M18 - GB/T889.1	1	
21	0306097	Rilsan hose 8X5 L=700	1	
22	0306097	Rilsan hose 8X5 L=750	1	
23	C02AQ00100	Quick relief valve unit	1	
24	0306086	Silencer G1/4	1	
25	C02AQ00101	Valve body	1	
26	0306039	90° quick union 8-1/4 female	1	
27	C02AQ00103	Seal	1	

TAV.5.0	BEAD BREAKER		ED. 01/17
---------	--------------	--	-----------

28	C02AQ00102	Valve flange	1
29	C02AQ00104	Sealing ring	1
30	0306033	90° quick union 8-R1/8	1
31		Cylinder liner 186	1
32		Screw M6X16 - GB/T5783	24
33		Nut M18X1.5 - GB/T6171	1
34		Seal 186X12X9	2
35		Cylinder shaft L=489	1
36		O-ring 180X3	1
37		Cylinder flange	1
38		Self-locking nut M6 - GB/T889.1	24
39		Bush 23X20X20	1
40		O-ring 20X3.55	1
41		Scraper 20X30X7	1
42		Seeger D.30 - GB/T893.1	1
43		Piston 186	1



TAV.6.0	SELF-CENTERING TURNTABLE	ED. 01/17
---------	--------------------------	-----------

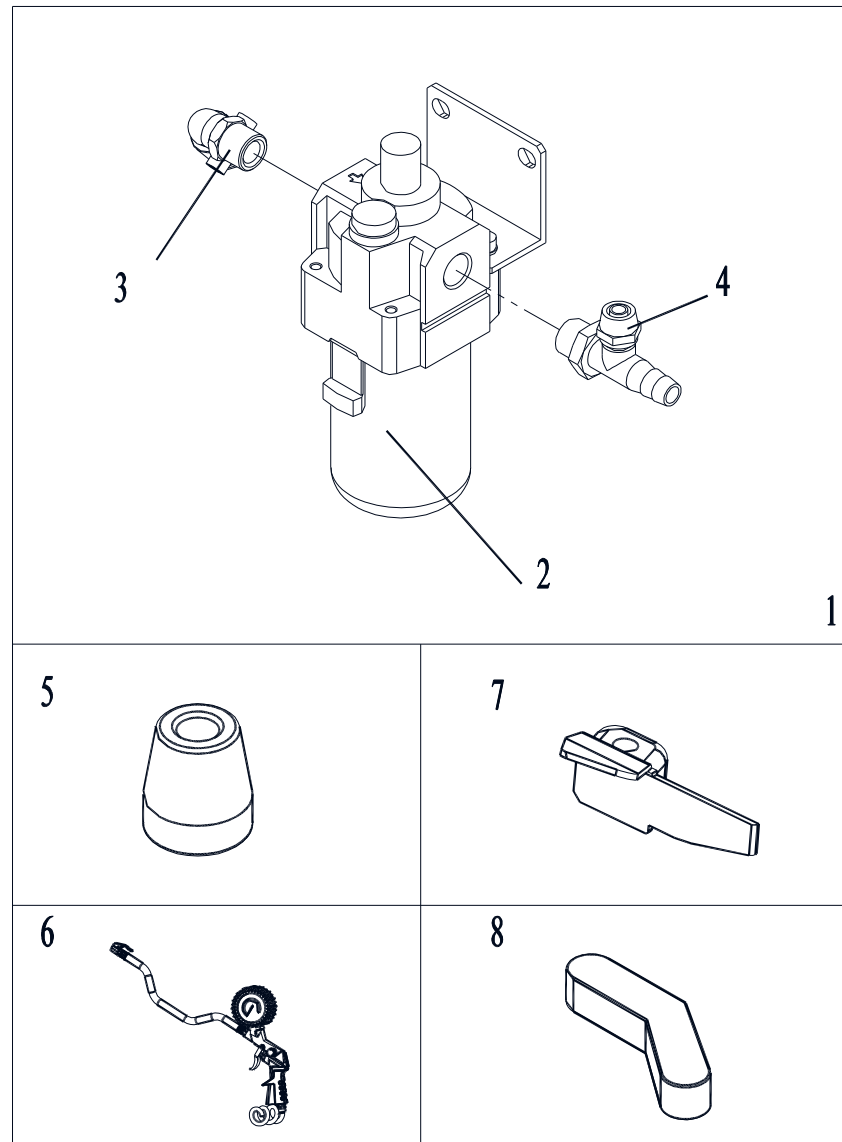
ITEM	PART NUMBER	DESCRIPTION	QTY	REMARK
1	C20B500100	Turntable	1	
2	YC1-2015755	Slide guide assembly	2	
3	0215027	Rivet 5.05×15.5	8	
4	YC1-3009778	Washer	1	
5	0201100	Screw M16X1.5X40 - GB/T5786	1	
6	YC1-3000062	Turntable cap	1	
7	YC1-2015756	Slide guide assembly	2	
8	YC1-2415756	Slide guide	2	
9	YC1-3001468	Clamp cover	4	
10	0202055	Screw M10X1.25X25 - GB/T70.1	4	
11	YC1-3002297	Oversize clamp	4	
12	YC1-3006255	Slide	4	
13	YC1-3015858	Spacer	4	
14	YC1-3015169	Turntable plate	4	
15	YC1-2412860	Slide	2	
16	YC1-3006879	Spacer	4	
17	YC1-3006880	Connection rod spacer	4	
18	0201143	Screw M12X45	4	
19	C20A510000	Turntable flange assembly	1	
20	0201011	Screw M6X12	4	
21	C20A510001	Upper turntable flange	1	
22	C20A510002	Connection rod	4	
23	YC1-3006878	Pin	4	
24	YC1-3007420	Flange bush	1	
25	0203004	Nut M6 - GB52	4	
26	YC1-3006869-A	Turntable flange spacer	1	
27	0212011	Seeger D.65 - GB/T894.1	1	

TAV.6.0	SELF-CENTERING TURNTABLE	ED. 01/17
---------	--------------------------	-----------

28	0212001	Seeger D.12 - GB/T894.1	4	
29	0306097	Rilsan hose 8X5 L=140	1	
30	0306022	Quick T union D.8	1	Plastic
31	C00AQ370000	Turntable cylinder	2	
32	0306016	Union $\Phi$ 8 G1-8	2	
33	0201195	Screw M8X332	8	
34	0205013	Washer D.12 - GB/T97.1	10	
35	0204007	Nut M12 - GB/T889.1	2	
36	YC1-4198856	Piston	2	
37	YC1-3015023A	Back flange	2	
38	C00AQ370002	Piston rod	2	
39	0606007	O-ring 75X3.1 - GB/T1235	4	
40	C00AQ370001	Cylinder liner	2	
41	0606004	O-ring 20X2.75 - GB/T3452.1	2	
42	0606016	Scraper 20X30X7	2	
43	YC1-4398146	Washer	2	
44	0211004	Seeger D.30 - GB/T893.1	2	
45	YC1-3015024A	Front Flange	2	
46	0204025	Nut M8 - GB/T6177.1	8	
47	0306045	Quick union 8-1/8	2	Plastic
48	YC1-2003000	Rotation union	1	
49	0306103	Spiral hose 8X5	1	
50	YC1-4198857	Washer	2	
51	0306069	Rotation union 8-1/8	1	
52	0306001	Quick T union 8-1/8	1	
53	0309066	O-ring 60X2.65	3	
54	0306097	Rilsan hose 8X5 L=1000	2	

TAV.6.0	SELF-CENTERING TURNTABLE		ED. 01/17
---------	--------------------------	--	-----------

55	0306097	Rilsan hose 8X5 L=350	2
56	C20A510003	Lower turntable flange	1





TAV.7.0	INFLATOR+LUBRICATION GROUP	ED. 01/17
---------	----------------------------	-----------

ITEM	PART NO.	DESCRIPTION	QTY	REMARK
1	C00AQ55000	Lubricator unit	1	
2	0306328	Lubricator	1	
3	0306032	90° quick union 8-1/4	1	
4	0306007	Tee union 8-1/4	1	
5	0215032	Peak roller	1	
6	YC1-2001000	Inflating gun	1	
7	YC1-3013650	Plastic insert	5	
8	YC1-3006689	Plastic insert	5	